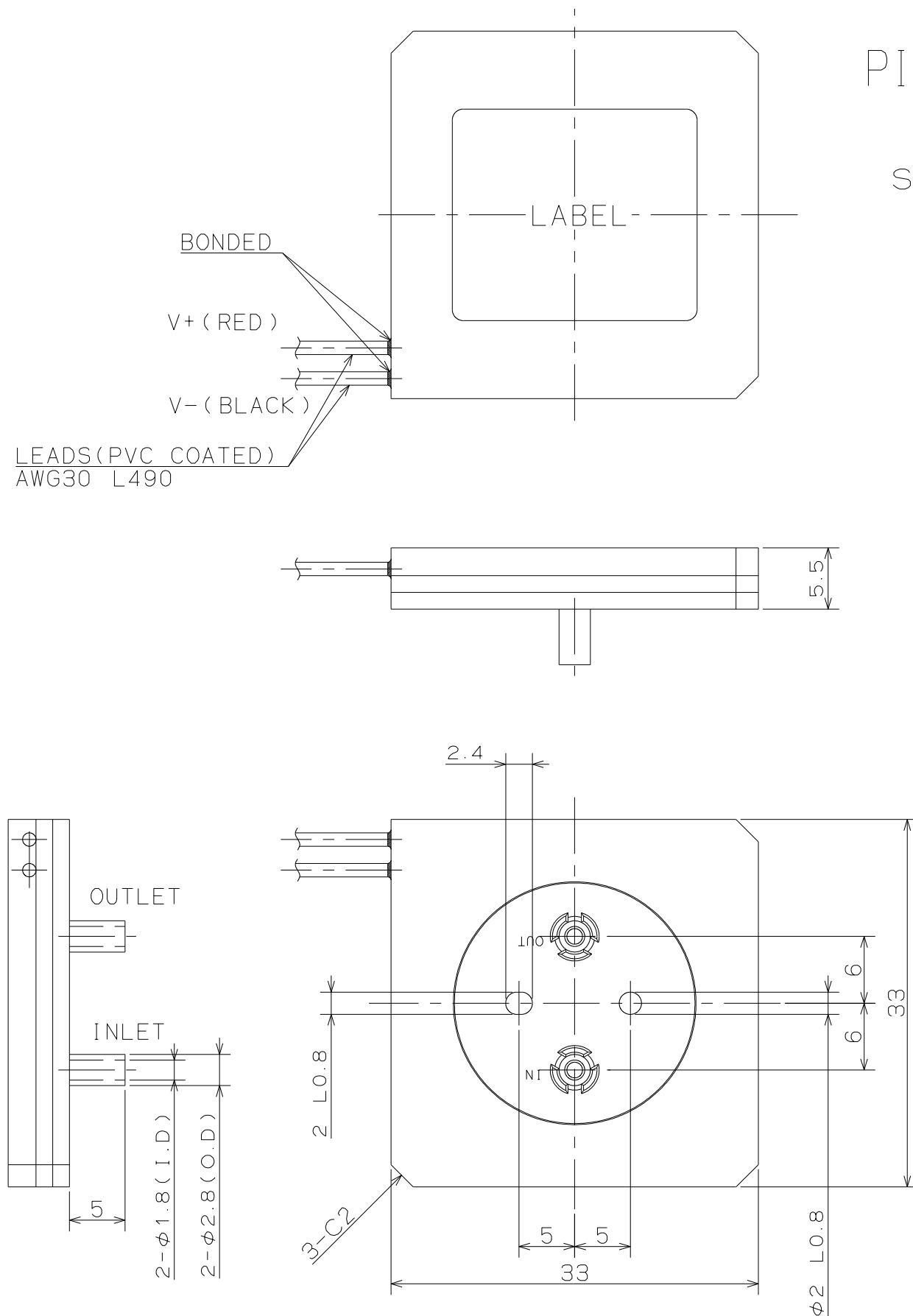


FOR REFERENCE ONLY

PIEZOELECTRIC MICRO PUMP

SPECIFICATIONS for MODEL SDMP320



MAXIMUM FLOW RATE	:	20ml/min(Typ.) (DISCHARGE/SUCTION LOAD PRESSURE=0kPa)
MAXIMUM PUMP PRESSURE	:	35kPa(Typ.)(FLOW RATE=0ml/min)
SUCTION LOAD PRESSURE	:	-1.0kPa(Typ.)
PORT CONNECTION	:	HOSE BARB
FLUID MEDIA	:	FLUIDS CHEMICALLY COMPATIBLE WITH MATERIALS BELOW
MEDIA TEMPERATURE RANGE	:	5 ~ 50°C
AMBIENT TEMPERATURE RANGE	:	5 ~ 50°C
STORAGE TEMPERATURE RANGE	:	0 ~ 55°C
DRIVE METHOD	:	PIEZOELECTRIC ELEMENT
DRIVE VOLTAGE	:	60 ~ 250Vp-p(SINE OR TAKASAGO STANDARD WAVE FORM)
DRIVE FREQUENCY	:	10 ~ 60Hz
POWER CONSUMPTION	:	32mW(REFERENCE, STANDARD DRIVE CONDITION DRIVE FREQUENCY:40Hz) 48mW(REFERENCE, STANDARD DRIVE CONDITION DRIVE FREQUENCY:60Hz)

THE ABOVE SPECIFICATIONS ARE BASED ON THE FOLLOWING CONDITIONS

STANDARD DRIVE CONDITION	:	AMBIENT AND FLUID TEMPERATURE:25°C FLUID MEDIA:PURE WATER DRIVE VOLTAGE:250Vp-p(SINE WAVE) DRIVE FREQUENCY:40Hz
--------------------------	---	--

WETTED MATERIALS

ELASTOMER DIAPHRAGM	EPDM	2	
PLASTICS DIAPHRAGM	COC	1	
DOWN SIDE PUMPHOUSING	COC	1	
UP SIDE PUMPHOUSING	COC	1	
PART NAME	MATERIAL	REQD.	NOTE
PIEZOELECTRIC MICRO PUMP SDMP320			