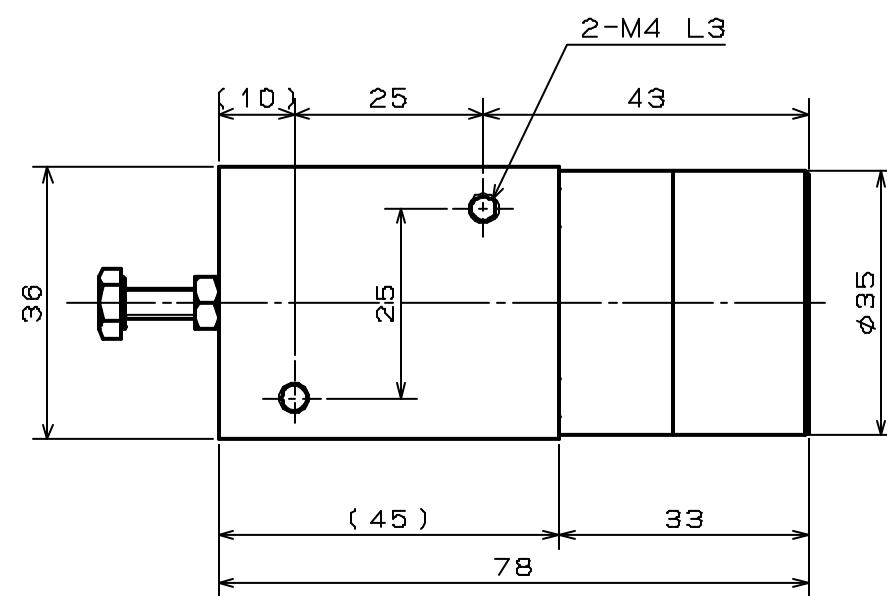
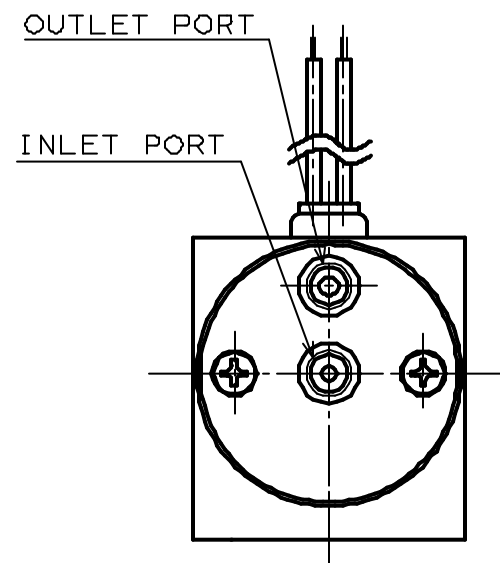
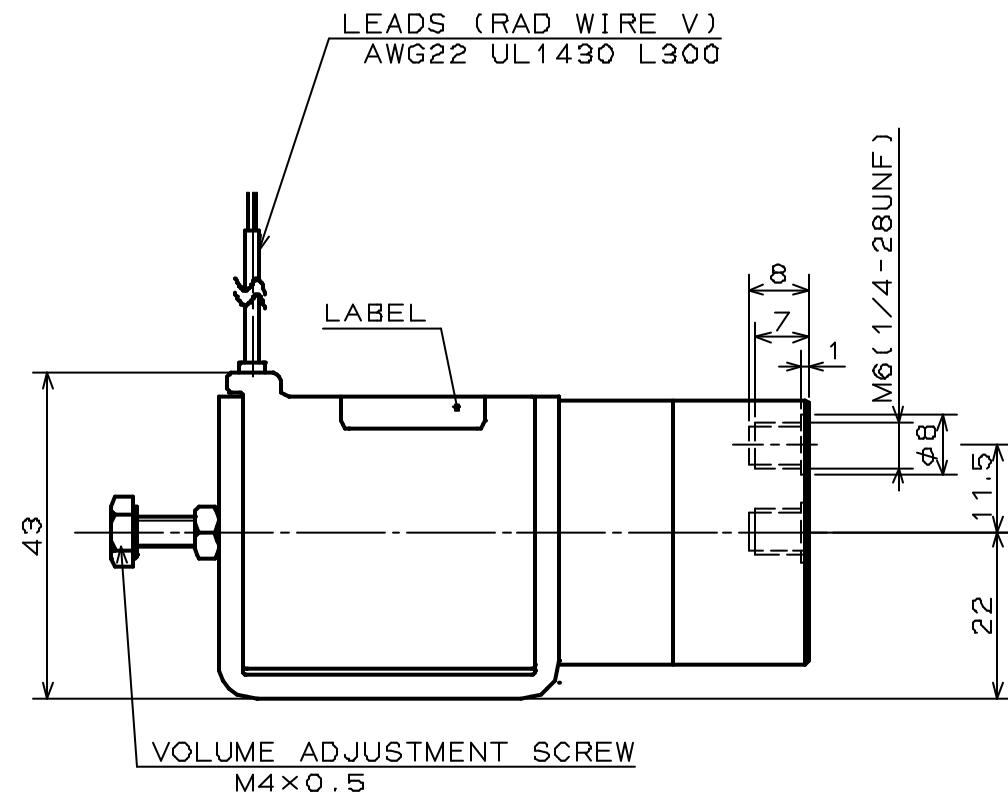


FOR REFERENCE ONLY

METERING PUMP

SPECIFICATIONS for MODEL PKP-500P



MAXIMUM PUMPED VOLUME	:	500 μ l (1 CYCLE)
PUMPED VOLUME ADJUSTABLE RANGE	:	50 ~ 500 μ l
MAXIMUM OPERATING FREQUENCY	:	2HZ
REPEATED PUMPED VOLUME ACCURACY	:	±1%
PORT CONNECTION	:	M6, 1/4-28UNF
FLUID MEDIA	:	FLUIDS CHEMICALLY COMPATIBLE WITH MATERIALS BELOW
MEDIA TEMPERATURE RANGE	:	10 ~ 40°C
AMBIENT TEMPERATURE RANGE	:	10 ~ 40°C
RATED VOLTAGE	:	12VDC, 24VDC
POWER CONSUMPTION	:	10W
DUTY CYCLE	:	CONTINUOUS
INSULATION CLASS	:	CLASS E
DIELECTRIC STRENGTH	:	1500VAC FOR 60s
FIXING STYLE	:	FIT ONLY HORIZONTALLY ALONG AXIS 'X-Y'

WETTED MATERIALS

PISTON	POM/PP	1	
DIAPHRAGM	FPM	1	
CYLINDER	POM/PP	1	
CHECK VALVE	SILICONE RUBBER	2	
VALVE CASE	POM/PP	1	
PART NAME	MATERIAL	REQD.	NOTE
METERING PUMP			
PKP-500P			