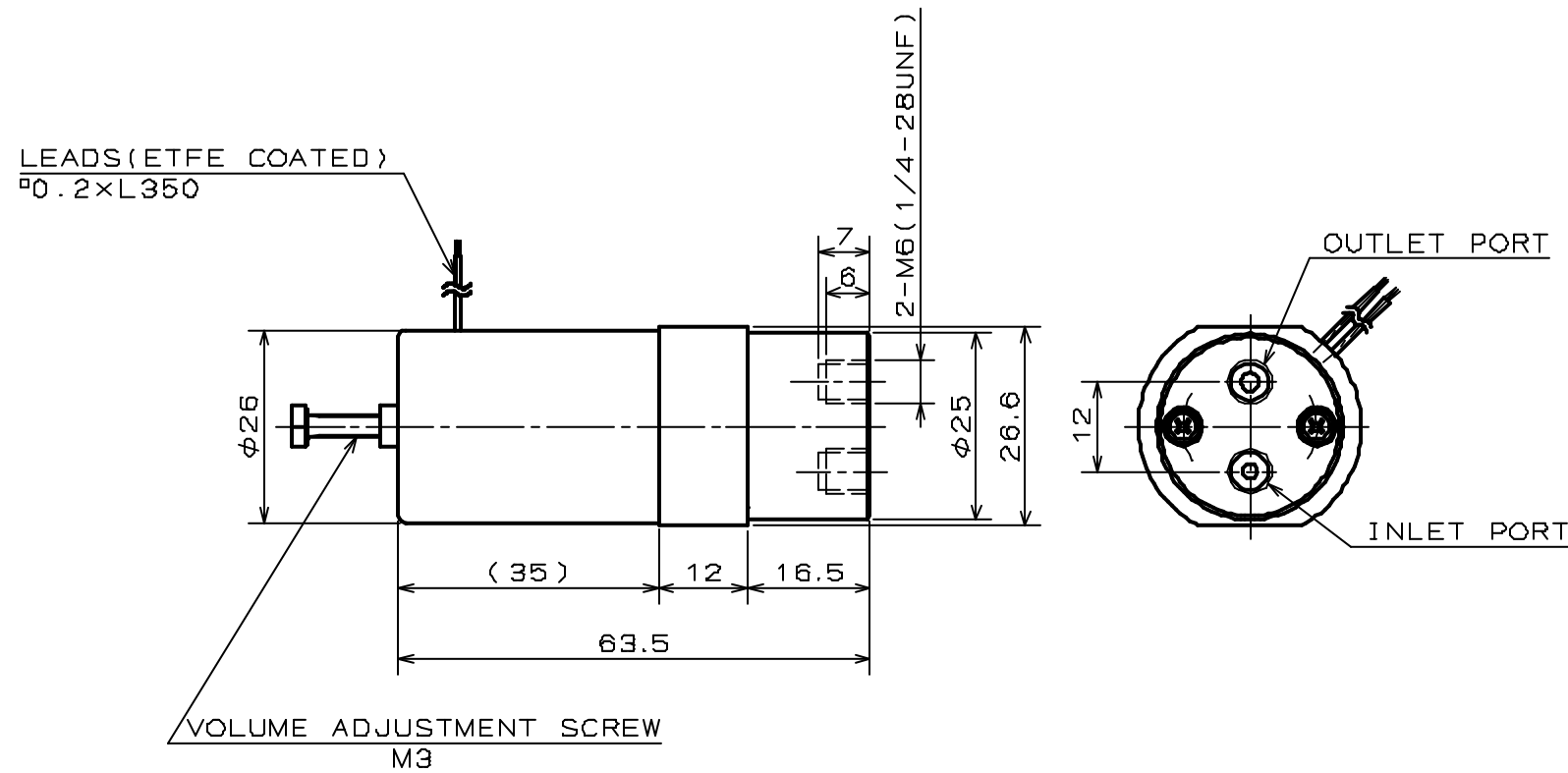
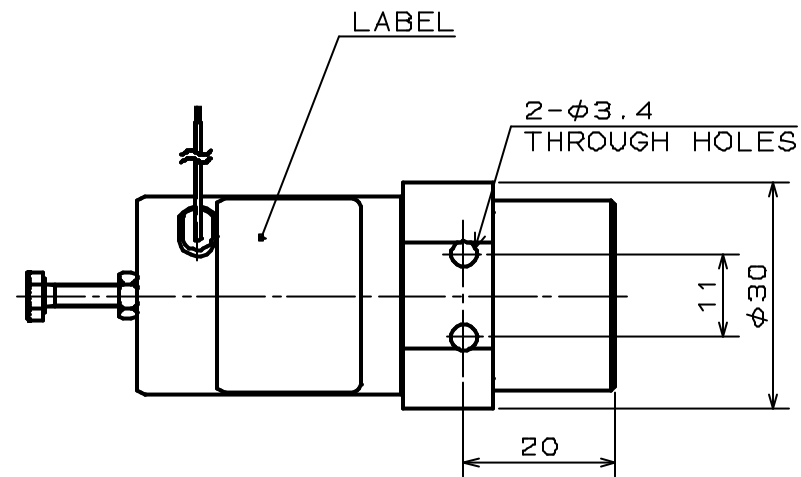


FOR REFERENCE ONLY

METERING PUMP

SPECIFICATIONS for MODEL MCP-50



- MAXIMUM PUMPED VOLUME : 50mm³ (1 CYCLE)
- PUMPED VOLUME ADJUSTABLE RANGE : 5 ~ 50mm³
- MAXIMUM OPERATING FREQUENCY : 4HZ
- REPEATED PUMPED VOLUME ACCURACY : ±1% (15~50mm³/CYCLE)
±2% (5~15mm³/CYCLE)
- PORT CONNECTION : M6- 1/4-28UNF
- FLUID MEDIA : FLUIDS CHEMICALLY COMPATIBLE WITH MATERIALS BELOW
- MEDIA TEMPERATURE : 10 ~ 40°C
- AMBIENT TEMPERATURE : 10 ~ 40°C
- RATED VOLTAGE : 12VDC, 24VDC
- POWER CONSUMPTION : 4.4W
- OPERATING DURATION : CONTINUOUS
- INSULATION CLASS : CLASS B
- DIELECTRIC STRENGTH : 1500VAC FOR 60s
- RECOMMENDED MOUNTING POSITION : HORIZONTAL (OUTLET PORT UPPER SIDE)

WETTED MATERIALS

PISTON	PTFE/POM/PP	1	
DIAPHRAGM	FPM	1	
CYLINDER	PTFE/POM/PP	1	
CHECK VALVE	FPM	2	
VALVE CASE	PTFE/POM/PP	1	
PART NAME	MATERIAL	REQD.	NOTE
METERING PUMP			
MCP-50			