

FOR REFERENCE ONLY

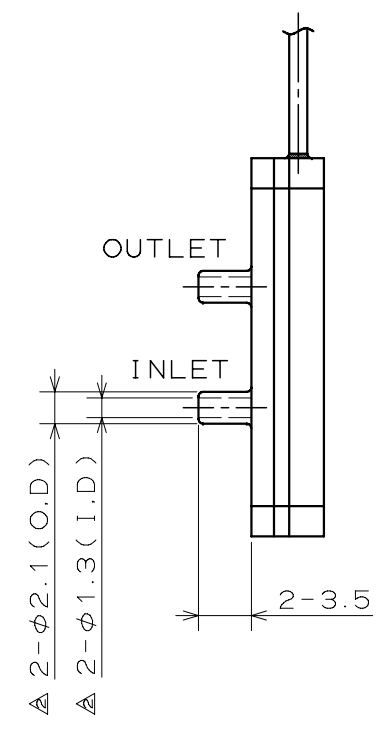
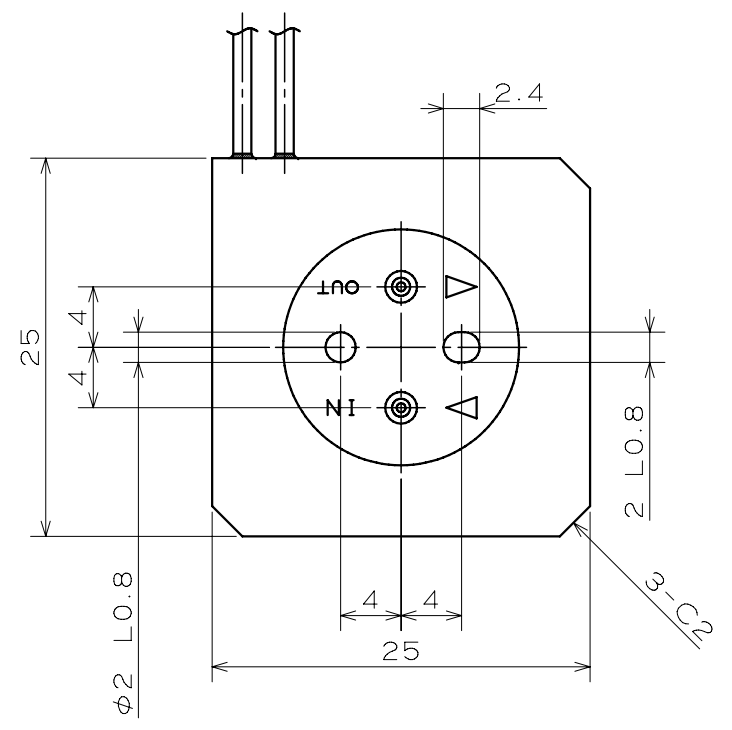
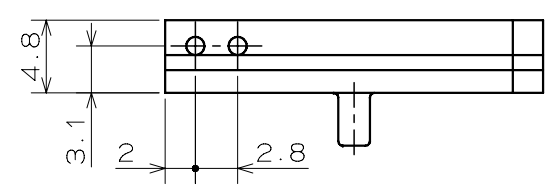
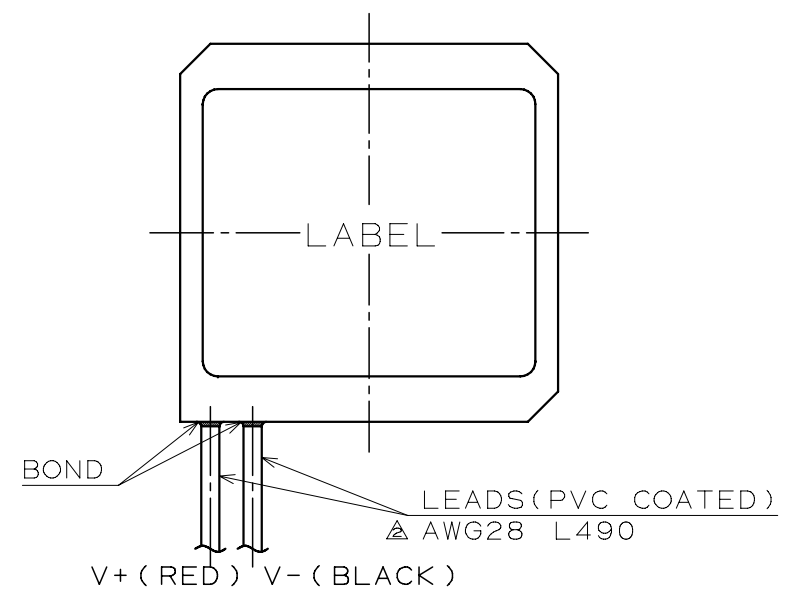
PIEZOELECTRIC MICRO PUMP

SPECIFICATIONS for MODEL SDMP306

- FLOW RATE : 7ml/min(Typical)
(DISCHARGE/SUCTION LOAD PRESSURE=0kPa)
- PUMP PRESSURE : 45kPa(Typical)(FLOW RATE=0ml/min)
- SUCTION LOAD PRESSURE : -1.0kPa(Typical)
- PORT CONNECTION : HOSE BARB
- FLUID MEDIA : FLUIDS CHEMICALLY COMPATIBLE WITH MATERIALS BELOW
- MEDIA TEMPERATURE RANGE : 5 ~ 50°C
- AMBIENT TEMPERATURE RANGE : 5 ~ 50°C
- STORAGE TEMPERATURE RANGE : 0 ~ 55°C
- DRIVE METHOD : PIEZOELECTRIC ELEMENT
- DRIVE VOLTAGE : 60 ~ 250Vp-p(SINE OR TAKASAGO STANDARD WAVE FORM)
- DRIVE FREQUENCY : 10 ~ 60Hz
- △ POWER CONSUMPTION : 22mW(REFERENCE, STANDARD OPERATION CONDITION, OPERATION FREQUENCY : 40Hz)
32mW(REFERENCE, STANDARD OPERATION CONDITION, OPERATION FREQUENCY : 60Hz)

THE ABOVE SPECIFICATIONS ARE BASED ON THE FOLLOWING CONDITIONS

- △ STANDARD OPERATING CONDITION : AMBIENT AND FLUID TEMPERATURE: 25°C
FLUID MEDIA: PURE WATER
OPERATING VOLTAGE: 250Vp-p(SINE WAVE)
OPERATING FREQUENCY: 40Hz
TUBING: I.D. 1/16in LENGTH 40mm



WETTED MATERIALS

△			4	ELASTOMER DIAPHRAGM	EPDM	2	
△	'15- 2-16	DOWN SIDE PUMP HOUSING'S SHAPE MODIFIED. LEADS SIZE, STANDARD OPERATING CONDITION MODIFIED. Y.A	3	PLASTIC DIAPHRAGM	COC	1	
△	'11- 5-26	POWER CONSUMPTION MODIFIED. N.S	2	DOWN SIDE PUMP HOUSING	COC	1	
SYM.	DATE	DESCRIPTION	1	UP SIDE PUMP HOUSING	COC	1	
REVISION			PART NO	PART NAME	MATERIAL	REQD.	NOTE
SCALE	APPROVED	CHECKED	DRAWN	PIEZOELECTRIC MICRO PUMP		DRAWING NO	
2/1				SDMP306		09002-00-E	
A 3							