

FOR REFERENCE ONLY

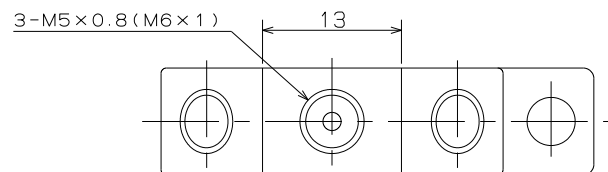
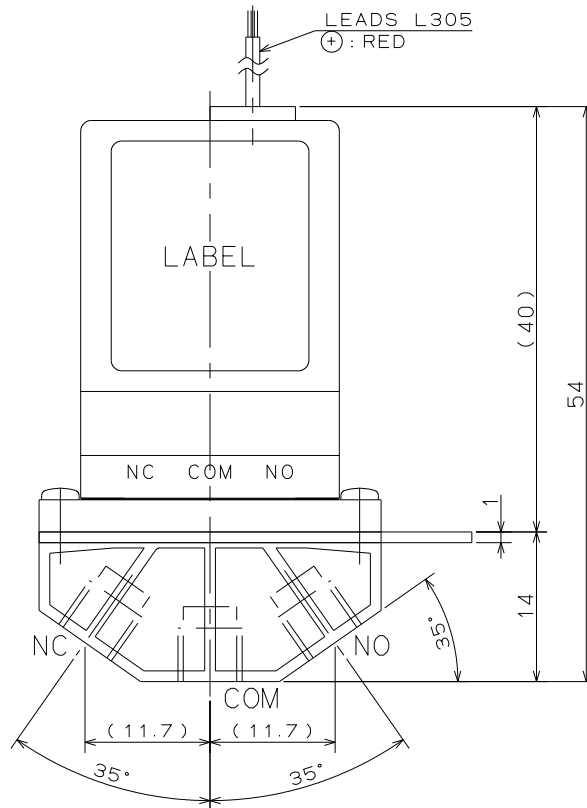
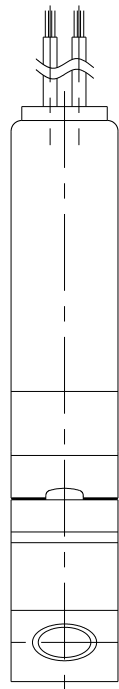
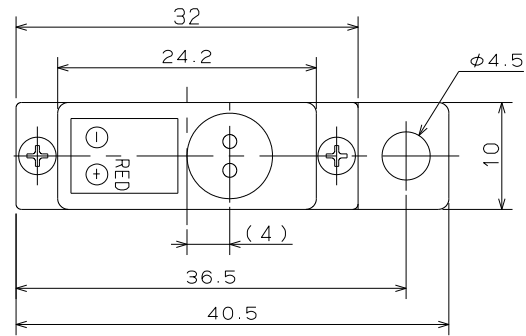
# SOLENOID VALVE

SPECIFICATIONS for MODEL RVC-3K-M5(M6)F

- ORIFICE DIAMETER : 1mm
- PORT CONNECTION : M5, M6
- OPERATING PRESSURE RANGE : COM. NC. NO -50 ~ 100kPa  
{-375mmHg ~ 1bar}
- FLUID MEDIA : FLUIDS CHEMICALLY COMPATIBLE WITH MATERIALS BELOW
- MEDIA TEMPERATURE RANGE : 5 ~ 50°C
- AMBIENT TEMPERATURE RANGE : 5 ~ 50°C
- RATED VOLTAGE : 12VDC, 24VDC
- POWER CONSUMPTION : INRUSH 4.2W(12VDC), 3.6W(24VDC)  
HOLDING 1W(12VDC, 24VDC)  
INRUSH TIME 50ms
- DUTY CYCLE : CONTINUOUS
- INSULATION CLASS : CLASS B

NOTE

MODEL NUMBER	PORT CONNECTION
RVC-3K-M5F	M5
RVC-3K-M6F	M6



WETTED MATERIALS

△			4	DIAPHRAMG	FPM	1	
△			3	BODY	PEEK	1	
△			2	PACKING SEAL	FPM	1	
SYM.	DATE	DESCRIPTION	1	CONNECTION ADAPTOR	PEEK	1	
REVISION			PART NO.	PART NAME	MATERIAL	REQD.	NOTE
SCALE	APPROVED	CHECKED	DRAWN		DRAWING NO		
2/1		A. Toda	Solenoid Valve		15101-00-S		
A 3			RVC-3K-M5(M6)F				