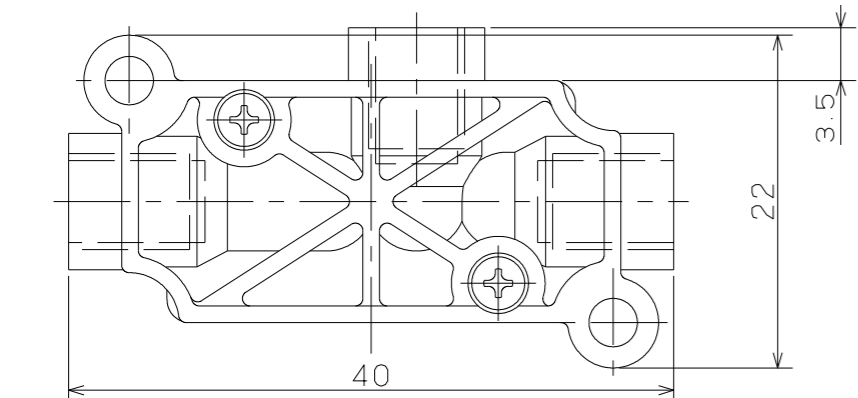
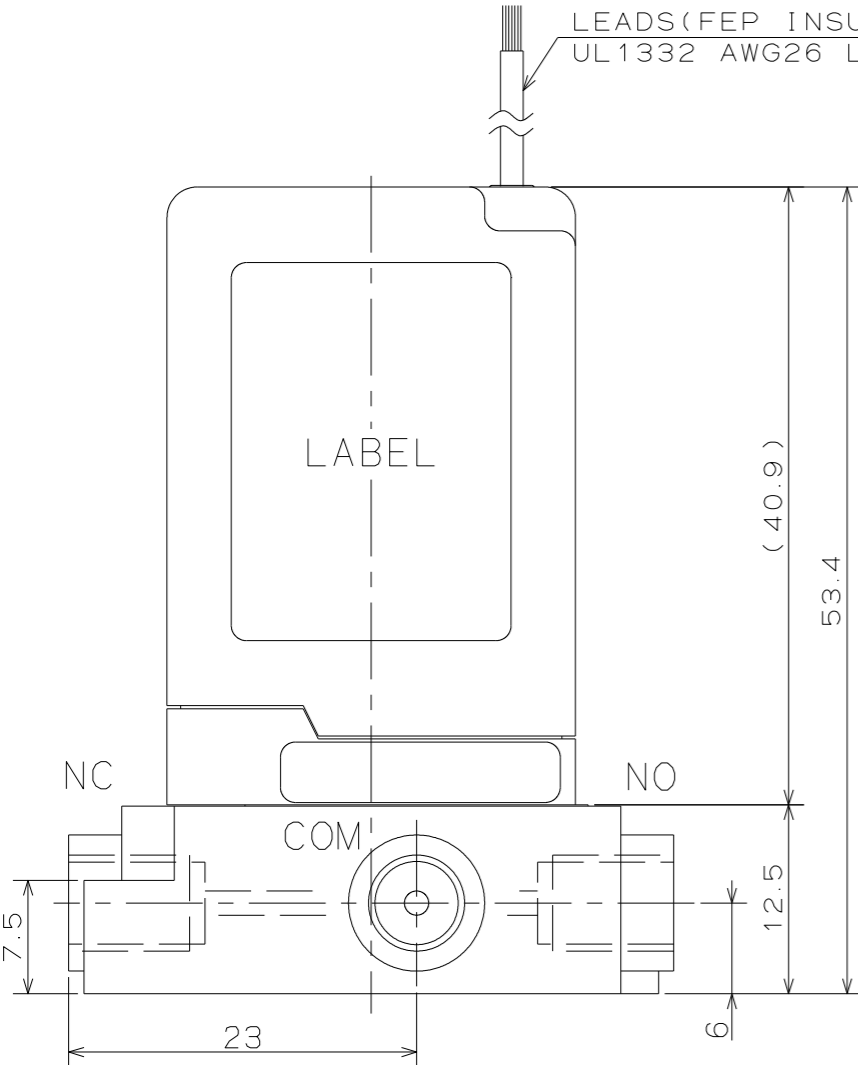
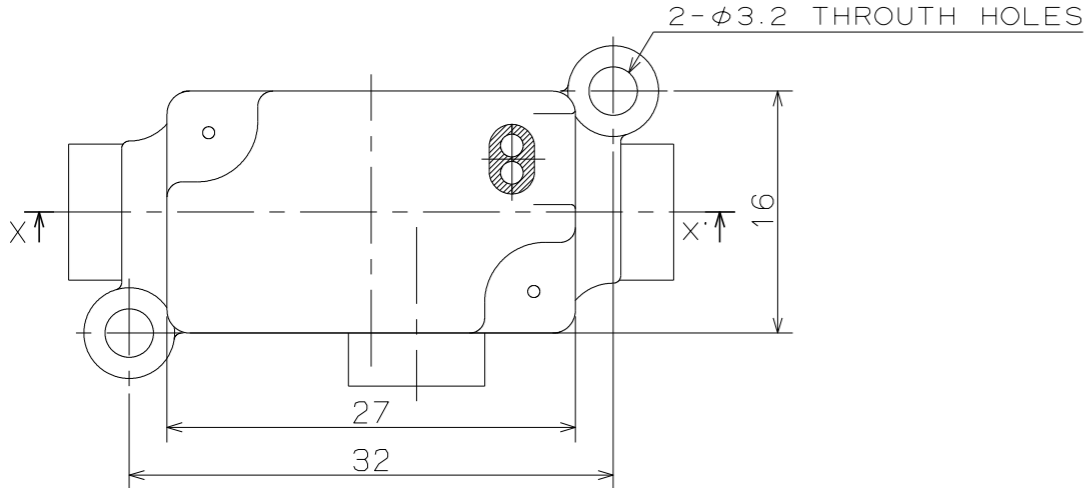


FOR REFERENCE ONLY

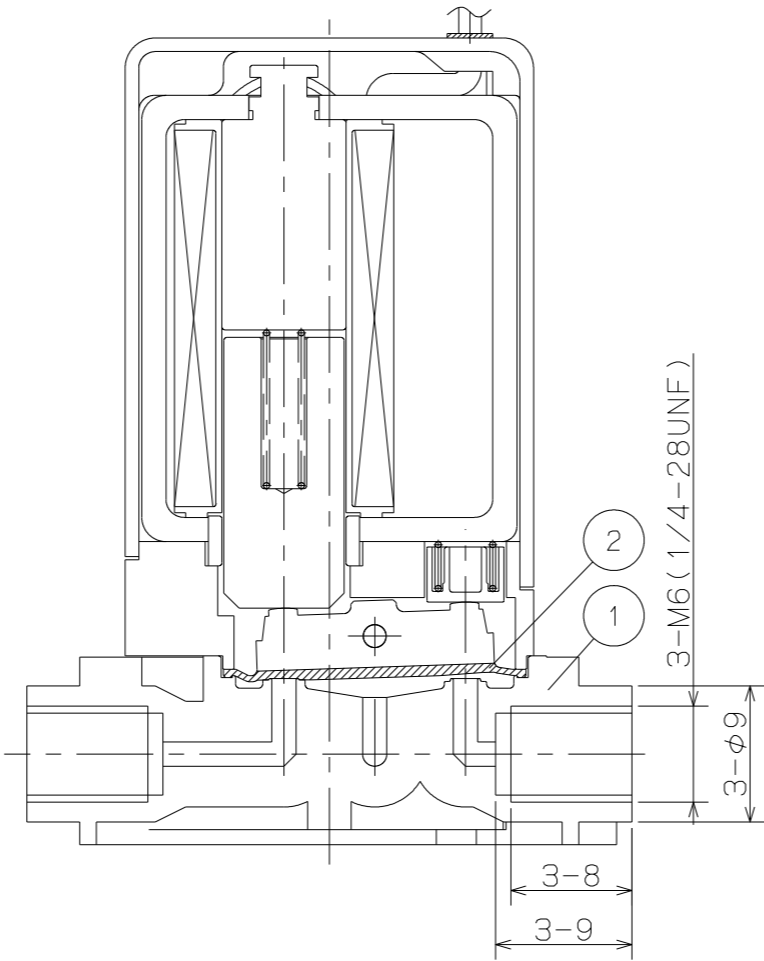
# SOLENOID VALVE

## SPECIFICATIONS for MODEL RVB-3X-XX

- ORIFICE DIAMETER : 1.6mm
- PORT CONNECTION : M6, 1/4-28UNF
- OPERATING PRESSURE RANGE : COM -90 ~ 250kPa  
{ -675mmHg ~ 2.5bar }
- NC, NO -90 ~ 250kPa  
{ -675mmHg ~ 2.5bar }
- FLUID MEDIA : FLUIDS CHEMICALLY COMPATIBLE WITH MATERIALS BELOW
- MEDIA TEMPERATURE RANGE : 5 ~ 50°C
- AMBIENT TEMPERATURE RANGE : 5 ~ 50°C
- RATED VOLTAGE : 12VDC, 24VDC
- POWER CONSUMPTION : 3.4W
- DUTY CYCLE : CONTINUOUS
- COIL TEMPERATURE INCREASE : MAX. 75°C FROM ROOM TEMPERATURE
- INSULATION CLASS : CLASS B
- NIELECTRIC STRENGTH : 1000VAC FOR 60s
- NOTE



LEADS (FEP INSULATED WIRES)  
UL1332 AWG26 L340±20



X-X' CROSS SECTION VIEW

### RVB-3X-XX

BODY MATERIAL		PORT CONNECTION		DIAPHRAGM MATERIAL	
E	ETFE	M6	M6	E	EPDM
K	PEEK	1/4U	1/4-28UNF	F	FKM
R	PPS			G	FFKM

### WETTED MATERIALS

SYMBOL	DATE	DESCRIPTION	PART NO.	PART NAME	MATERIAL	REQD.	NOTE
△			2	DIAPHRAGM	EPDM/FKM/FFKM	1	
△			1	VALVE BODY	ETFE/PEEK/PPS	1	
REVISION			SCALE		DRAWING NO.		
SCALE			APPROVED		DRAWING NO.		
A 3			2/1		15028-00-E		
CHECKED			DRAWN		SOLENOID VALVE		
A. Tada			yy		RVB-3X-XX		
S. Suzuki			J. Yamada		MIDORIKU, NAGOYA, JAPAN		