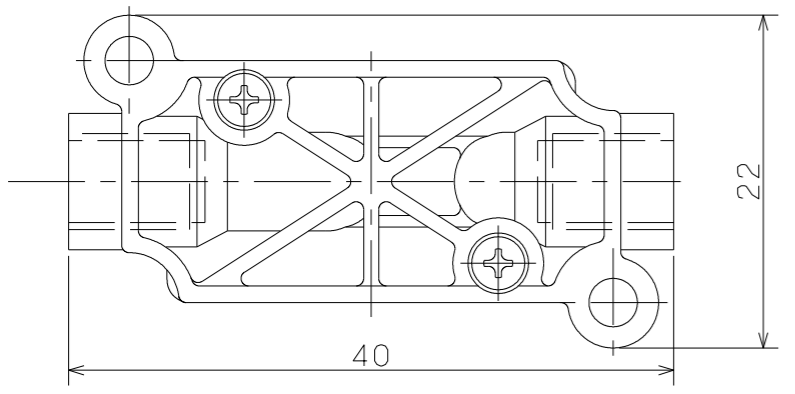
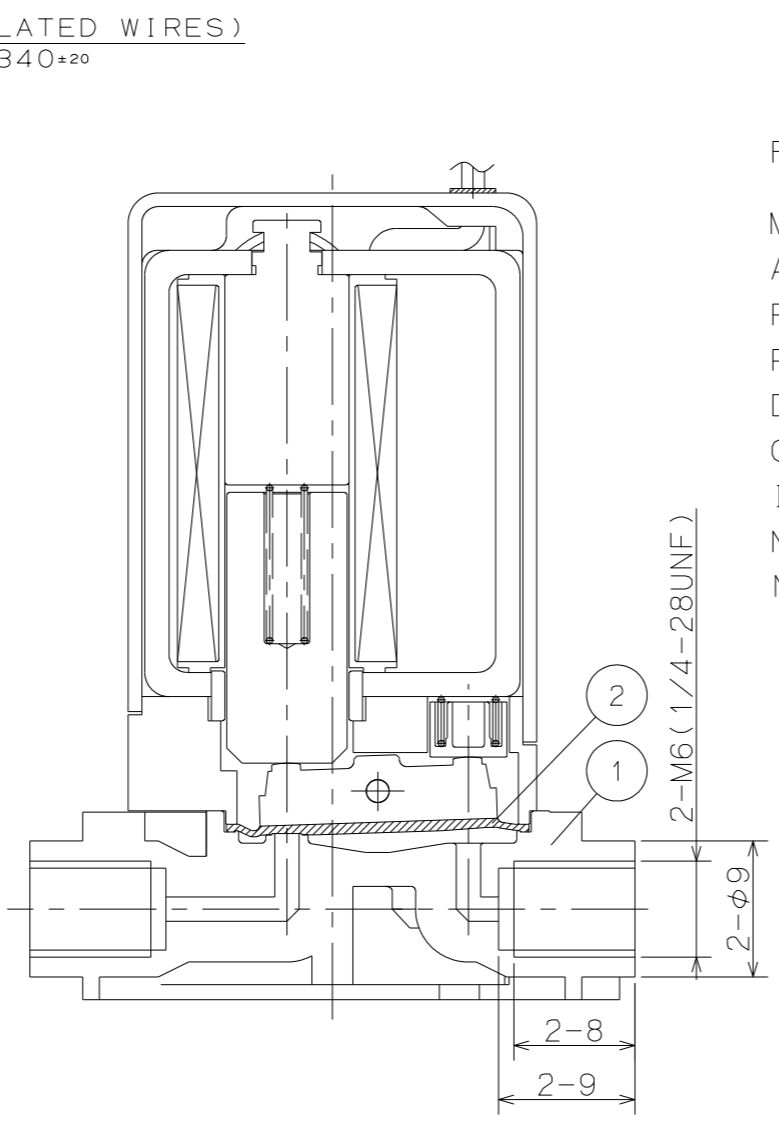
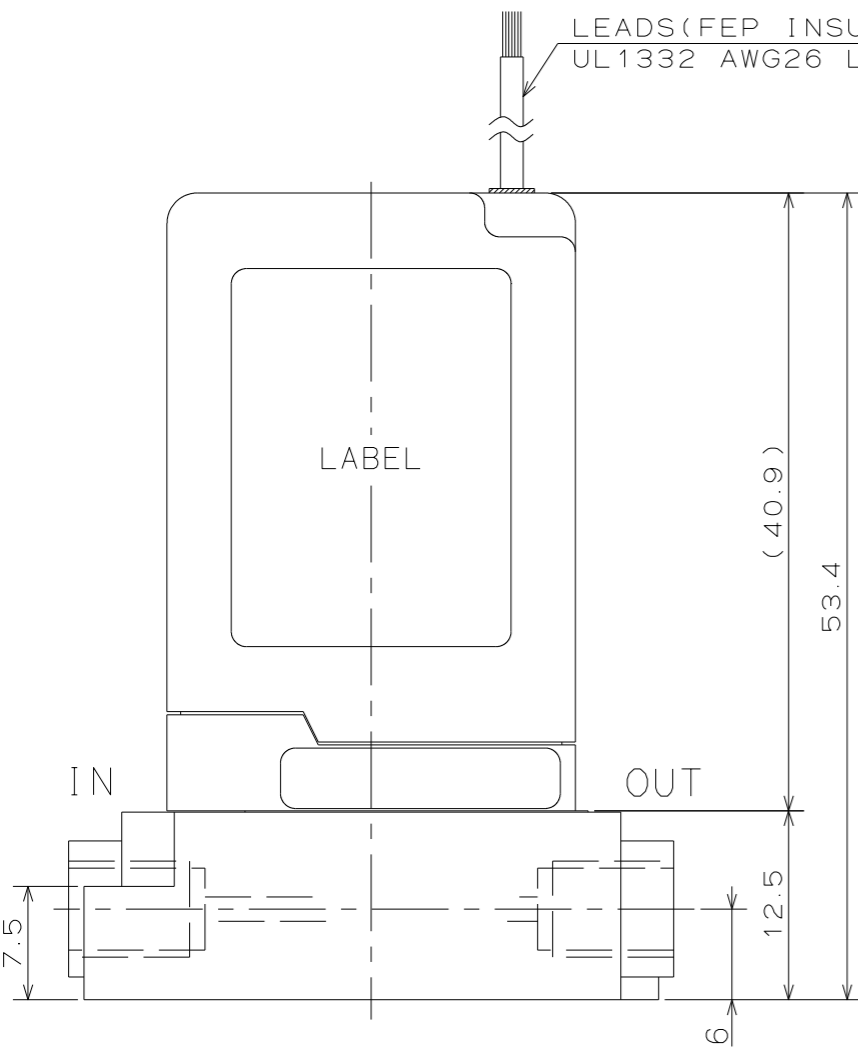
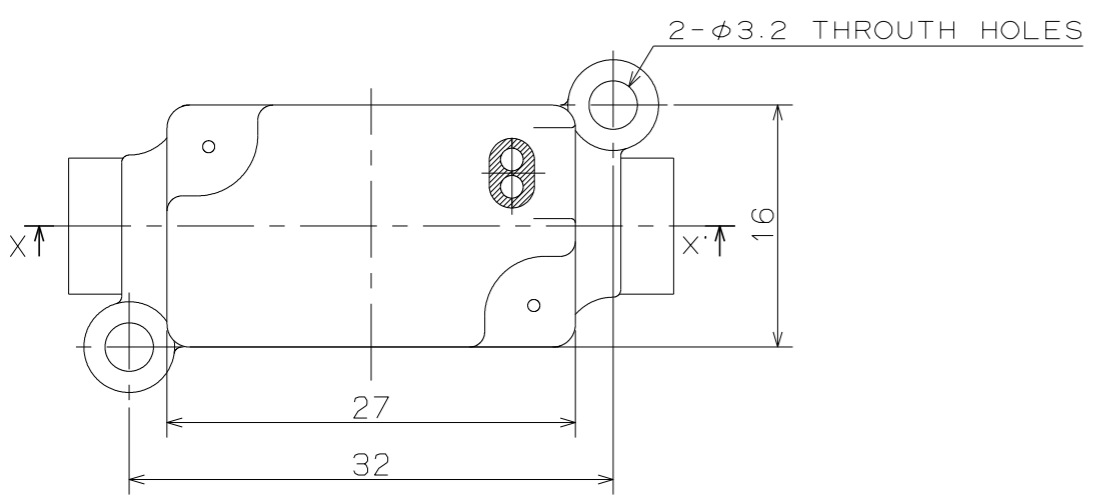


FOR REFERENCE ONLY

SOLENOID VALVE

SPECIFICATIONS for MODEL RVB-2X-XX

- ORIFICE DIAMETER : 1.6mm
- PORT CONNECTION : M6, 1/4-28UNF
- OPERATING PRESSURE RANGE : IN -90 ~ 250kPa (-675mmHg ~ 2.5bar)
- OUT -90 ~ 250kPa (-675mmHg ~ 2.5bar)
- FLUID MEDIA : FLUIDS CHEMICALLY COMPATIBLE WITH MATERIALS BELOW
- MEDIA TEMPERATURE RANGE : 5 ~ 50°C
- AMBIENT TEMPERATURE RANGE : 5 ~ 50°C
- RATED VOLTAGE : 12VDC, 24VDC
- POWER CONSUMPTION : 3.4W
- DUTY CYCLE : CONTINUOUS
- COIL TEMPERATURE INCREASE : MAX. 75°C FROM ROOM TEMPERATURE
- INSULATION CLASS : CLASS B
- NIELECTRIC STRENGTH : 1000VAC FOR 60s
- NOTE



RVB-2X-XX

BODY MATERIAL		PORT CONNECTION		DIAPHRAGM MATERIAL	
K	PEEK	M6	M6	E	EPDM
R	PPS	1/4U	1/4-28UNF	F	FKM
				G	FFKM

X-X' CROSS SECTION VIEW

WETTED MATERIALS

SYM.	DATE	DESCRIPTION	PART NO.	PART NAME	MATERIAL	REQD.	NOTE
△			2	DIAPHRAGM	EPDM/FKM/FFKM	1	
△			1	VALVE BODY	PEEK/PPS	1	
REVISION			PART NO.	PART NAME	MATERIAL	REQD.	NOTE
SCALE	APPROVED	CHECKED	DRAWN			DRAWING NO	
2/1		A. Toda	yy			15030-00-E	
A 3		S. Ojoda	J. Yamada				
SOLENOID VALVE						DRAWING NO	
RVB-2X-XX						15030-00-E	